

# Excess Pressure Valve

## TYPE EP65

### Description

These simple and robust designed excess pressure valves (without auxiliary energy) are adapted to a large number of processes requiring upstream pressure control. The valve opens when the upstream pressure increases. The set point is adjustable with a hand wheel which compresses a spring more or less according to the desired set point value.

### Characteristics

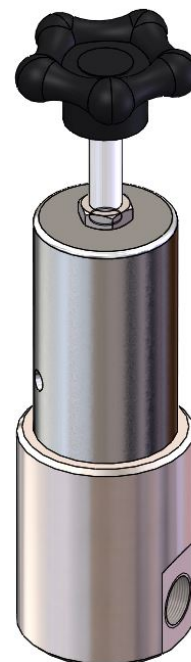
Material body: Stainless steel

End connections: Threaded: 1/2" - 3/4" - 1"

Max inlet pressure: PN25

Adjustment ranges: according to model

Temperature : Maxi 150°C (Viton O-ring)



### How to order :

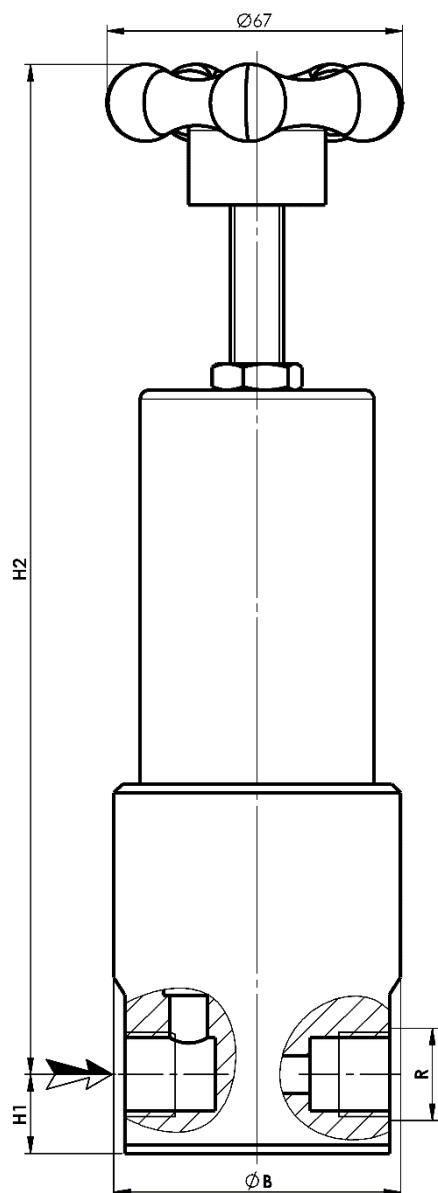
Déverseur type EP65 3.5 à 10.4 bar Kv2.3 1/2" GAZ

This excess pressure valve complies with 2014/68/UE PED art 4§3.

### Range of adjustment (bar eff)

End connections	1/2" GAZ		3/4" GAZ		1" GAZ	
KV	2.3	2.4	3.3	2.5	4	5
Seat Ø	12mm	12mm	14mm	16mm	16mm	18mm
Range 03	1 ... 6.5	1.2 ... 6.5	1.4 ... 6.4	0.7 ... 6.7	1.1 ... 5.3	1.2 ... 5.3
Range 49	3.5 ... 10.4	3.9 ... 10.2	4.7 ... 9.8	2.3 ... 11	4.6 ... 9.8	5 ... 9.6

## Dimensions



R	1/2" GAZ	3/4" GAZ	1" GAZ
H1	18	18	21
H2	230	230	233
$\varnothing B$	65	80	100
Poids / Weight (Kg)	3.2	4.2	6.2

## Operation

The excess pressure valve type EP65 are self-actuated (without auxiliary energy) controlling the pressure upstream compared to a set point. The excess pressure valve opens by increase in the pressure upstream in a proportional way. The choice of the range of adjustment will be carried out according to the pressure upstream (see table "Range of adjustment").

## Maintenance

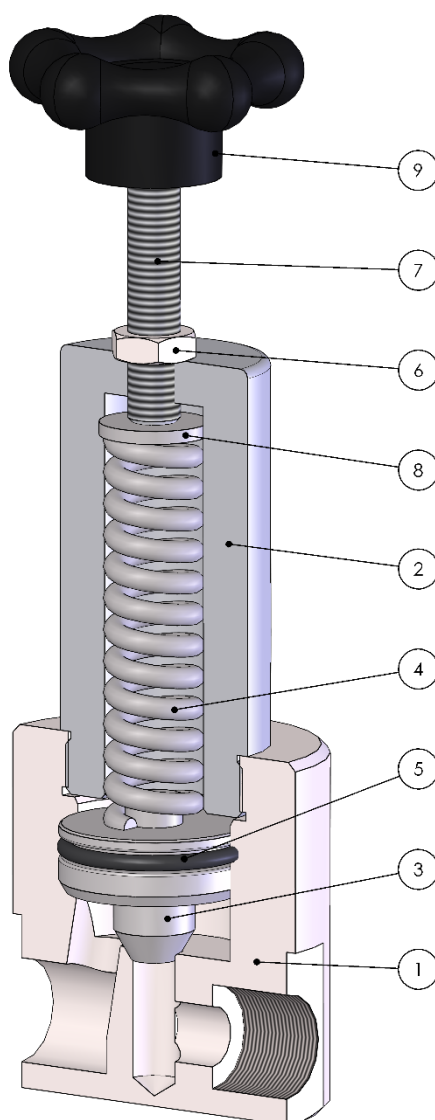
Type EP65 valves do not require any particular maintenance.

In the event of wear, replace the plug (REP.3) and the O-ring (REP.5) and lap the contact faces with grinding paste.

When ordering spare parts note the type, model and setting pressure.

If it is for a special version note the order number stamped on the body of the unit.

## Part List



Item	Description	Material
1	Body	Stainless Steel 1.4408
2	Cover	Steel 1.0570
3*	Plug	Stainless Steel 1.4542
4	Spring	Stainless Steel
5*	O-ring	FKM
6	Hex. Nut	Stainless Steel
7	Threaded shaft	Stainless Steel
8	Disc	Stainless Steel
9	Hand wheel	Plastic

\* Spare parts