

Y-strainer type 37



Body material	PP ¹⁾	PVDF
Sealing material	EPDM, FPM	FPM, FEP
Working temperature	0 °C up to 80 °C	-20 °C up to 100 °C
Nominal size / pressure class	DN 65 up to DN 250 ²⁾ - PN 6	
Connection with pipe	Fixed flange acc. to DIN EN 1092-1 (replaces DIN 2501) - PN 10	
Length	Company standard	
Mesh	2,0 mm ³⁾	

¹⁾ PVC-U on request

²⁾ up to DN 400 on request

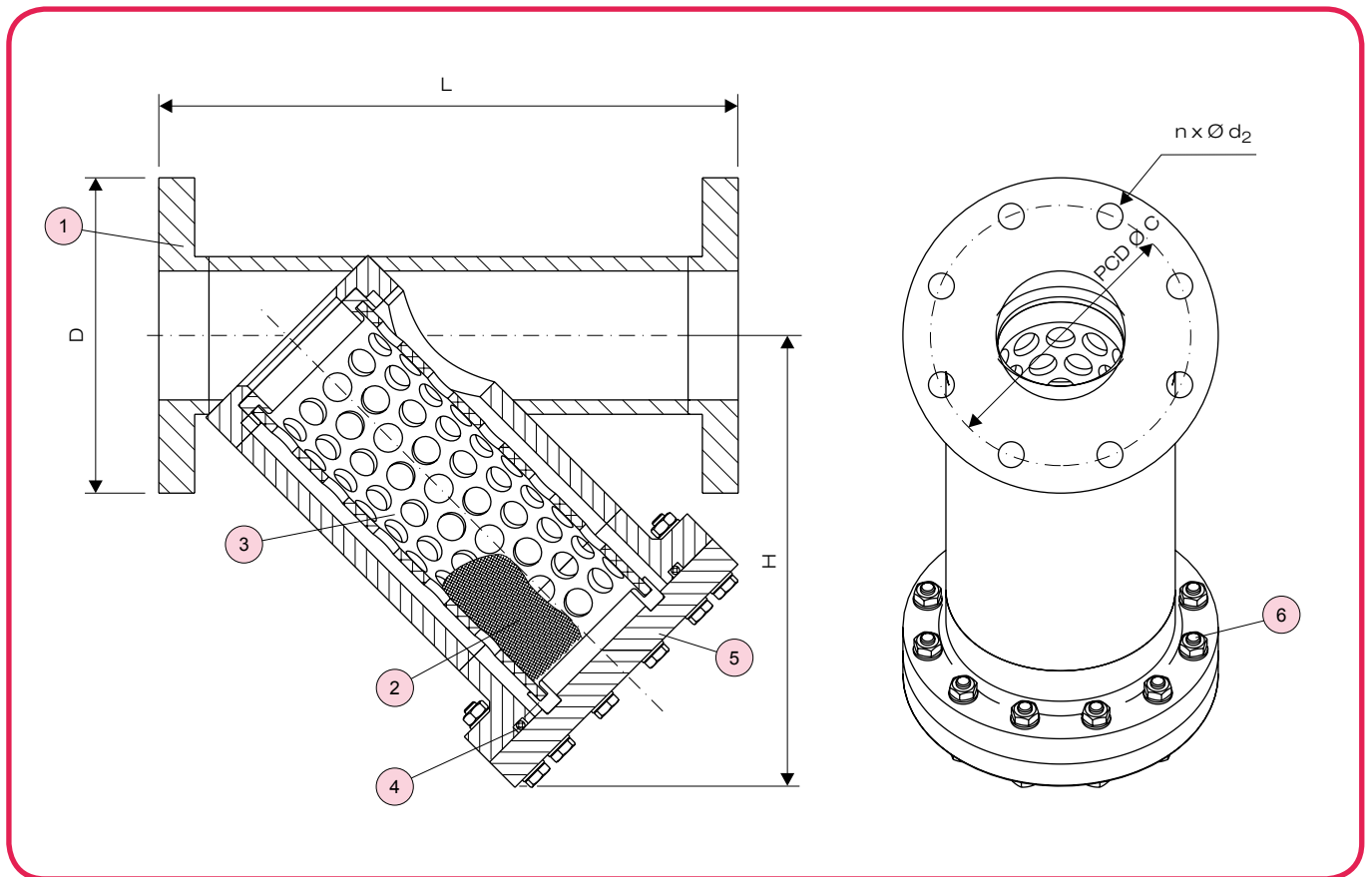
³⁾ 0,5 mm, 1,0 mm or 1,8 mm on request

Example for an invitation to tender text:

Y-strainer type 37, DN 100, PP / EPDM, PN 6, flange acc. to DIN EN 1092-1 - PN 10, length 500 mm, screen ETFE, mesh width 2,0 mm

Document: FRANK_DB_L7_Schrägsitz-Schmutzfänger Typ 37_04-2012_EN

Y-strainer type 37



No.	Description	Number	Material
1	Body	1	PP ¹⁾ , PVDF
2	Filter screen ^{*)}	1	ETFE ²⁾
3	Screen support	1	PP ¹⁾
4	O-ring ^{*)}	1	EPDM, FPM
5	Cap	1	PP ¹⁾
6	Screw, nut, washer	1/1/2	A4 - 1.4401 (SUS 316)

*) Wearing parts

1) PVDF, PVC-U on request

2) Stainless steel on request

Body dimensions

Dimensions [mm]					
DN	H	L	D	n x Ø d ₂	Ø C
65	260	400	185	4 x 18	145
80	274	450	200	8 x 18	160
100	322	500	220	8 x 18	180
125	380	550	250	8 x 18	210
150	430	650	285	8 x 23	240
200	552	800	340	8 x 23	295
250	590	900	385	12 x 23	350